



101 MAIN STREET  
HASLET, TX 76052  
(817)439-5931  
WWW.HASLET.ORG



Know what's below.  
Call before you dig.  
@least 48 hours prior

CITY OF HASLET  
CONSTRUCTION STANDARDS  
WATER - VALVES, SERVICES,  
AND FIRE HYDRANTS

CERTIFICATION:  
THIS CITY OF HASLET SHEET IS  
AUTHORIZED FOR USE ON THIS  
PROJECT BY AUTHORITY OF THE CITY  
ENGINEER. BY INCLUDING THIS SHEET  
IN THE CONSTRUCTION SET OF  
DRAWINGS, THE ENGINEER OF  
RECORD FOR THE PROJECT IS ALSO  
CERTIFYING THAT THE CONTENT OF  
THE DETAILS AND NOTES HAVE NOT  
BEEN ALTERED FROM THAT RECEIVED  
FROM THE CITY OF HASLET.

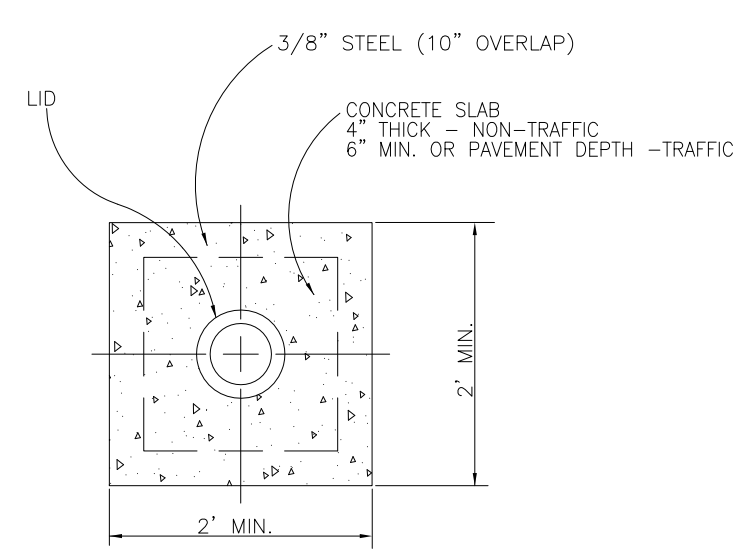
DRAWN: CAD

APPROVED: TNA

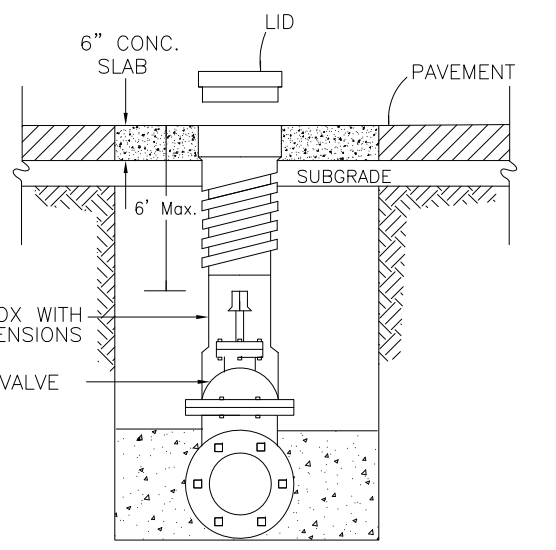
DATE: SEPT 2019

SHEET NUMBER

W1

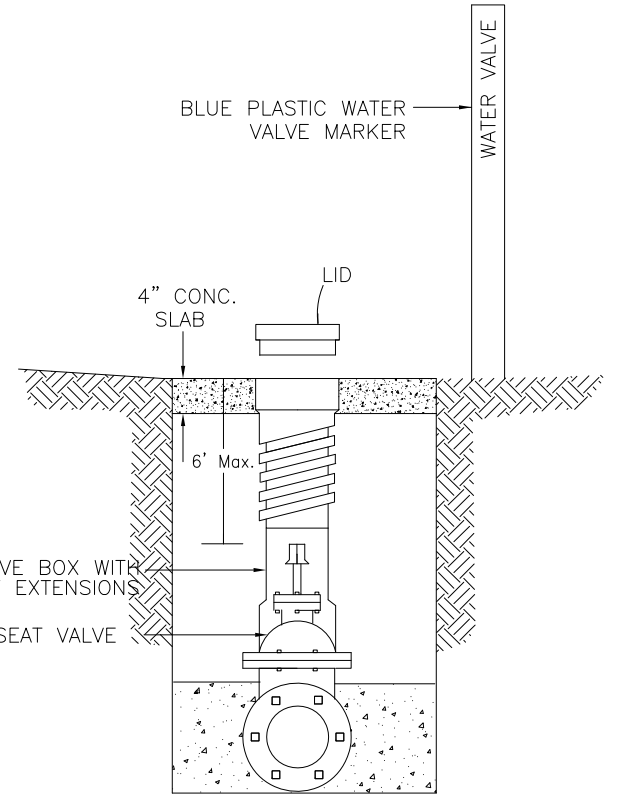


VALVE PAD



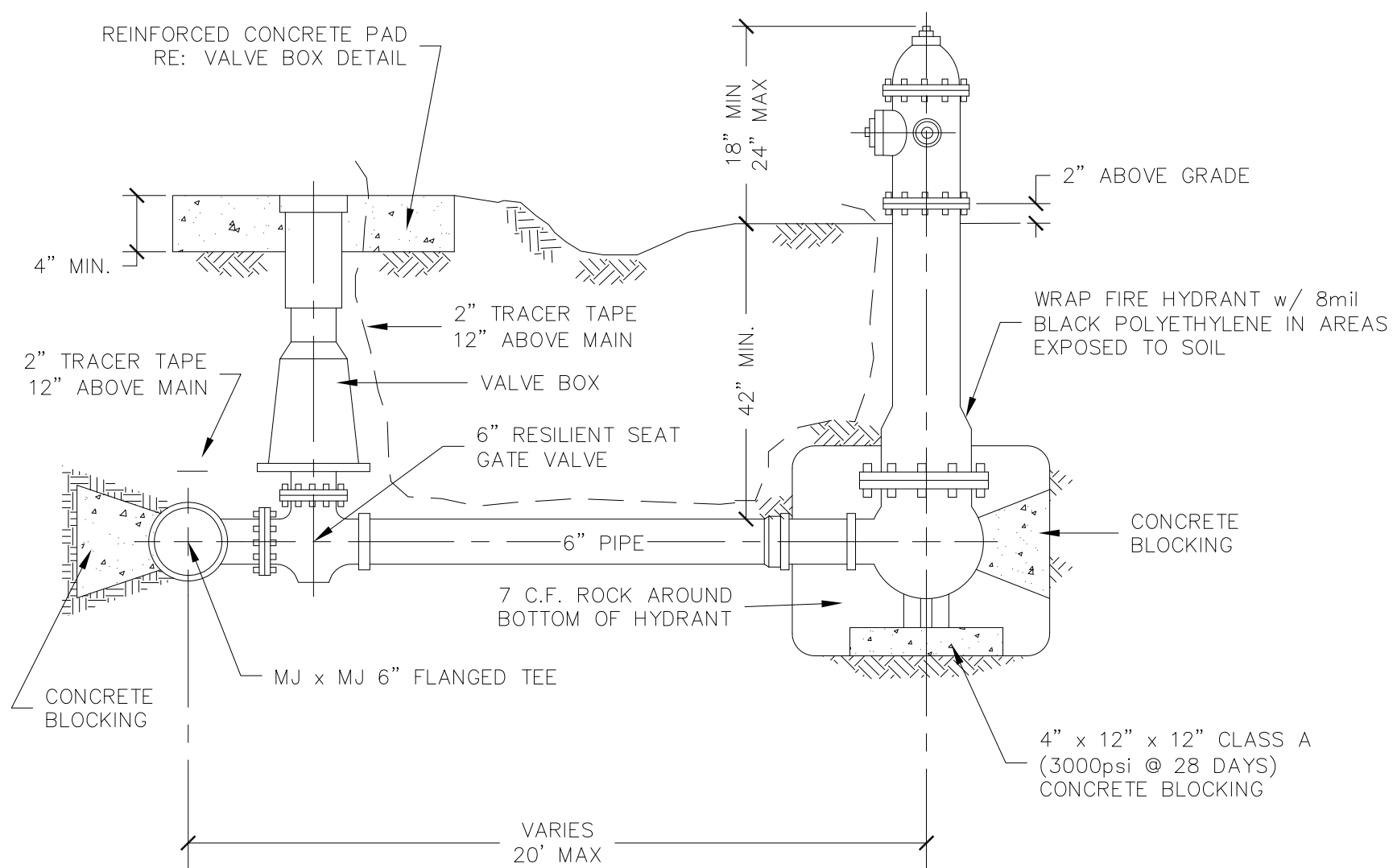
ROADWAYS AND SURFACED AREAS

EXTENSION NOTE:  
IN THE EVENT THE TOP OF THE OPERATING NUT IS MORE THAN THREE FEET (3') DEEP FROM THE EXISTING GROUND ELEVATION, VALVE STEM AND VALVE BOX EXTENSIONS SHALL BE FURNISHED BY THE CONTRACTOR TO BRING THE OPERATING NUT TO WITHIN THREE FEET (3') OF THE EXISTING GROUND LEVEL. DUCTILE IRON PIPE CAN BE USED FOR VALVES DEEPER THAN SIX FEET (6'). HOWEVER, IN ALL CASES THE TOP SIX FEET SHALL BE AN ADJUSTABLE VALVE BOX.



YARDS AND NON-TRAFFIC AREAS

W1 TYPICAL VALVE BOX  
NOT TO SCALE

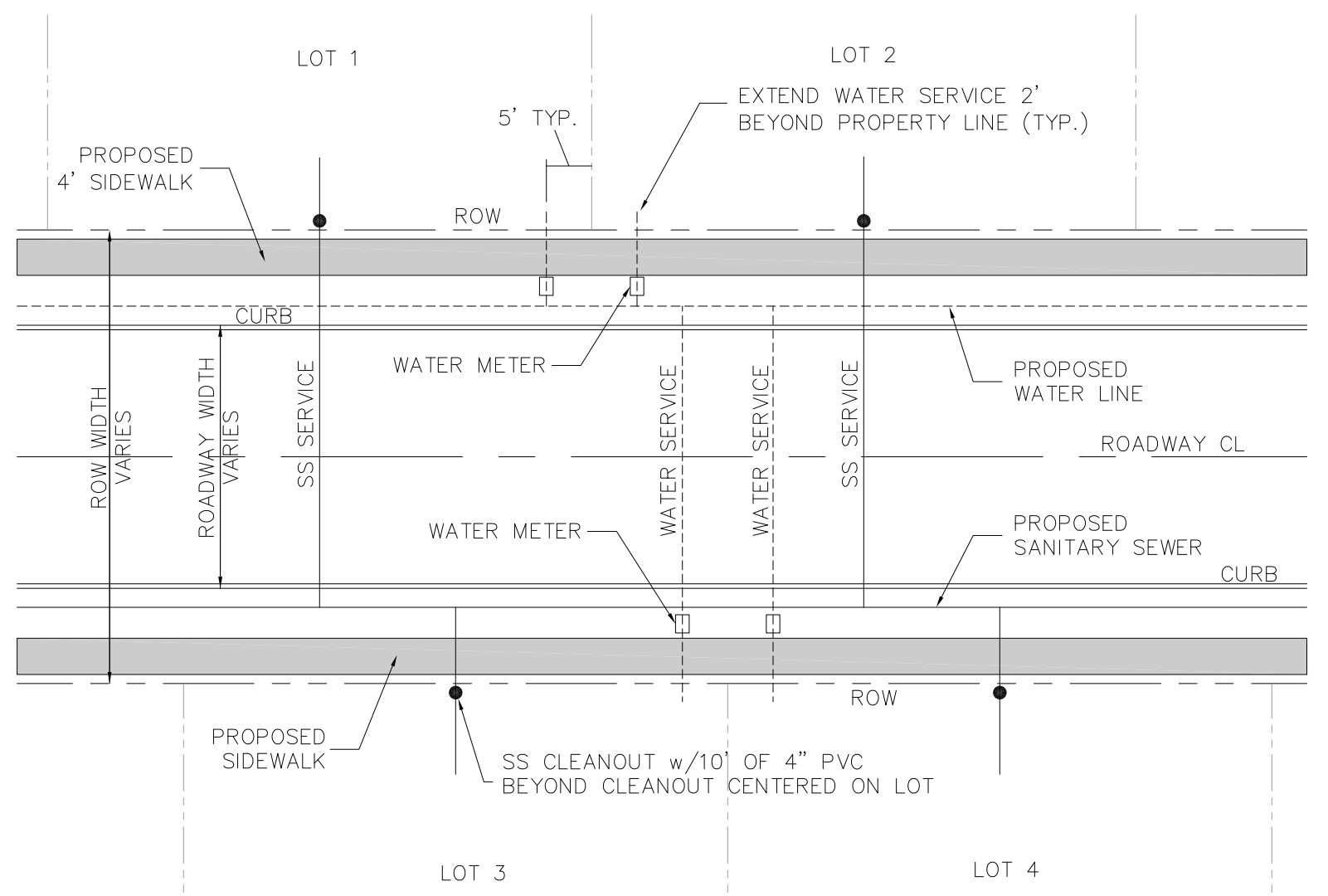


W2 FIRE HYDRANT ASSEMBLY  
NOT TO SCALE

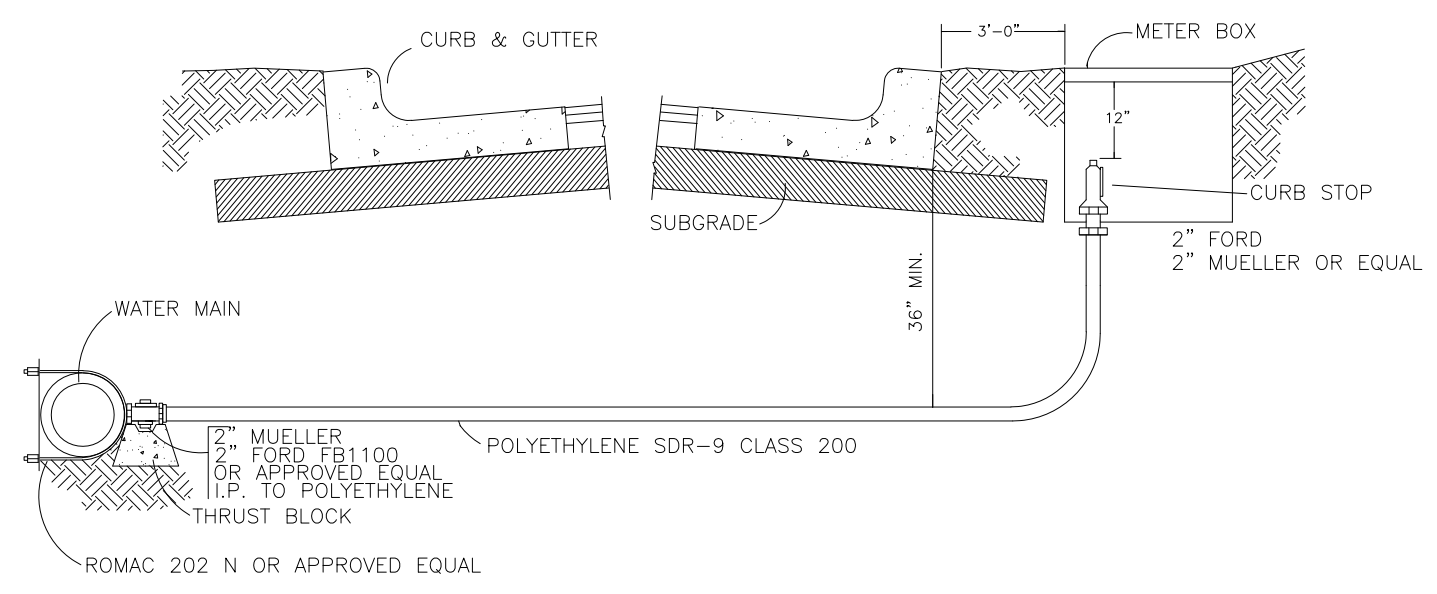
MARKING NOTE:  
1. BLUE MARKER SHALL BE PLACED AS CLOSE TO THE CENTERLINE OF THE ROAD AS POSSIBLE. IF THE HYDRANT IS LOCATED AT AN INTERSECTION, THE MARKER SHALL BE PLACED AS NEAR TO THE CENTER POINT OF THE INTERSECTION AS POSSIBLE.  
2. THE BLUE MARKER SHALL BE OCTAGON OR HEXAGON SHAPED SO AS TO BE VISIBLE FROM ALL SIDES OF AN INTERSECTION. (CHECK WITH THE FIRE SERVICE IF THERE ARE ANY QUESTIONS)

LOCATION NOTE:  
1. TYPICALLY THE HYDRANT SHALL BE PLACED IN PARKWAY 3 FEET BEHIND CURB. UNDER CONDITION WHERE SIDEWALK IS LOCATED DIRECTLY BEHIND CURB OR ANY OTHER OBSTACLE(S) THE HYDRANT SHALL BE PLACED AS DIRECTED BY CITY ENGINEER.  
2. NO OBSTRUCTION OF ANY TYPE WILL BE ALLOWED WITHIN 3 FEET OF THE HYDRANT IN ANY DIRECTION. THE HYDRANT SHALL NOT BE PLACED LESS THAN 3 FEET WITHIN BACK OF CURB OR PROPERTY LINE.  
3. THE HYDRANT WILL BE TESTED BY THE FIRE DEPARTMENT AND THE CAPS SHALL BE PAINTED THE NFPA COLOR WHICH THE TEST INDICATES. THIS WILL BE DONE BY THE FIRE SERVICE.

LOCATION NOTE:  
LOCATION TO BE VERIFIED BY PUBLIC WORKS PRIOR TO WATER AND/OR SEWER SERVICE INSTALLATION.



W3 TYP. SEWER AND WATER SERVICE CONNECTION DETAIL  
NOT TO SCALE



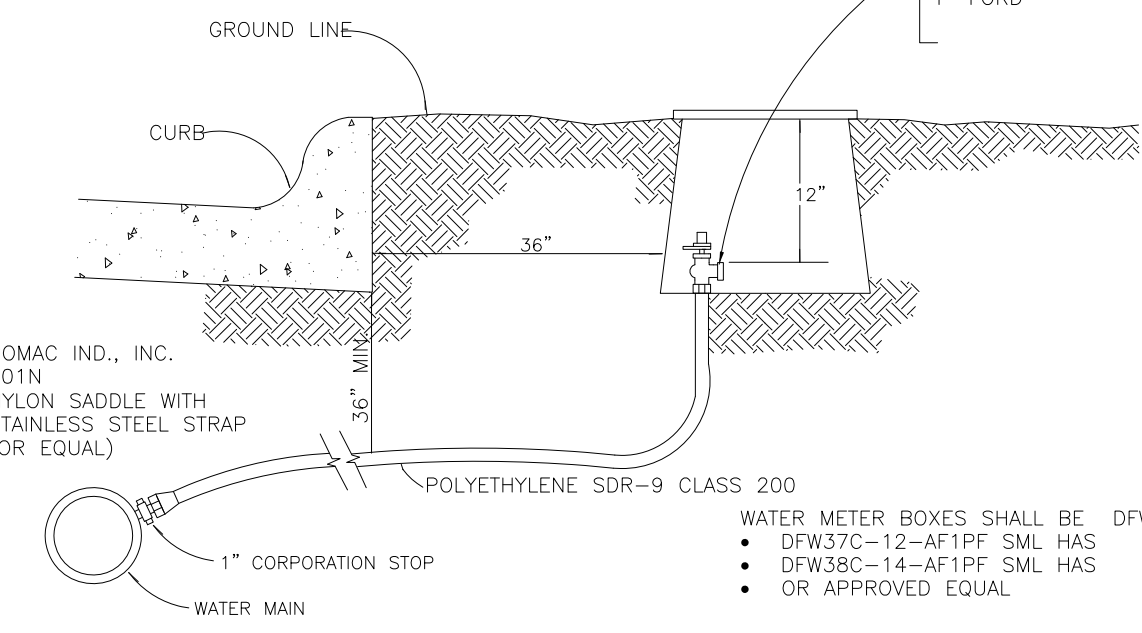
2" WATER SERVICE

STAMP NOTE:  
CURB SHALL BE STAMPED WITH A 'W' OR 'S' (2" MIN.) AT WATER AND SEWER SERVICE LOCATIONS.

ALL POLYETHYLENE COMPRESSION STYLE CONNECTORS SHALL USE STAINLESS STEEL TUBING LINERS OR STIFFENER.

WATER METER BOXES SHALL BE DFW PLASTICS MODEL NO:  
• DFW65A-14-AF1DF SML HAS  
• OR APPROVED EQUAL

METER BOX SHALL BE CONCRETE IF LOCATED IN PAVEMENT, APPROACH, OR SIDEWALK



1" WATER SERVICE

W4 WATER SERVICE DETAILS  
NOT TO SCALE

WATER METER BOXES SHALL BE DFW PLASTICS MODEL NO:  
• DFW37C-12-AF1PF SML HAS  
• DFW39C-14-AF1PF SML HAS  
• OR APPROVED EQUAL

METER BOX SHALL BE CONCRETE IF LOCATED IN PAVEMENT, APPROACH, OR SIDEWALK

APPROVED MATERIALS FOR WATER DISTRIBUTION SYSTEM

PIPING:  
1. ALL WATER LINE PIPE SHALL BE AWWA C900 SDR 18 PVC UNLESS NOTED OTHERWISE.  
2. ALL MAINLINE FITTINGS SHALL BE AWWA C111 CL. 250 MECHANICAL JOINT UNLESS NOTED OTHERWISE.

BRASS:  
CORPORATION STOP  
1. ONE INCH STOP AWWA TAPER (C.C.) THREAD, FORD TYPE F1000 OR APPROVED EQUIVALENT MUELLER H-1500B,  
2. TWO INCH CORPORATION STOP MUELLER B2500B, FORD #B1000 OR APPROVED EQUIVALENT

CURB STOP (VALVE)  
1. ONE-INCH ANGLE STOP, MUELLER B-2425B, FORD TYPE BA43-444W-G OR APPROVED EQUIVALENT

ALL COMPRESSION TYPE TUBING CONNECTORS WILL BE USED WITH STAINLESS STEEL TUBE LINER OR STIFFENER WHEN USED ON POLYETHYLENE TUBING.

METER SERVICE LINE MATERIAL:  
1. METER SERVICE LINE WILL BE ONE-INCH SIZE AND BE POLYETHYLENE TUBING TUBING S.D.R. 9 - 200 PSI RATING.  
2. ONE INCH TYPE K SOFT COPPER

SERVICE TAPPING SADDLES:  
1. SERVICE SADDLES SHALL BE DUCTILE IRON ASTM 653, COATED WITH A NYLON FUSED BONDED COATING 10-12 MILS THICK WITH A STAINLESS STEEL STRAP. MANUFACTURED BY THE FOLLOWING MANUFACTURERS OR APPROVED EQUIVALENTS. ROMAC INDUSTRIES, INC. AND SMITH-BLAIR, INC.

GATE VALVES - 4" THRU 12":  
1. RESILIENT WEDGE TYPE VALVE WITH CONNECTION CONFIGURATION, I.E. FLGD, OR M.J. FITTINGS SHALL BE LISTED BY THE ENGINEER. APPROVED VALVE MANUFACTURERS ARE LISTED AS FOLLOWS:

MUELLER, INC., M & H VALVE AND CLOW VALVE, INC. WATEROUS HYDRANTS & VALVES (AMERICAN FLOW CONTROL) EJ FLOWMASTER

2. PRIOR CITY APPROVAL MUST BE OBTAINED BEFORE VALVES ARE ORDERED BY THE CONTRACTOR. THE CITY WILL DETERMINE IF AN EQUIVALENT PRODUCT MANUFACTURER IS ACCEPTABLE AS AN APPROVED EQUAL.

FIRE HYDRANT:  
1. FIRE HYDRANTS SHALL HAVE 5 1/4" MAIN VALVE, 4 1/2" DIA. PUMPER NOZZLE AND 2-2 1/2" DIA. HOSE NOZZLES WITH NST THREADS AND OPEN COUNTER-CLOCK WISE. THE BURY DEPTH SHALL BE DETERMINED BY ENGINEERS. HYDRANTS TO BE FURNISHED SHALL BE MANUFACTURED BY THE FOLLOWING MANUFACTURERS OR APPROVED EQUALS:

M & H VALVE CLOW VALVE, INC. WATEROUS HYDRANTS & VALVES (AMERICAN FLOW CONTROL) EJ WATERMASTER

NOTE:  
WHEN A CONTRACTOR MAKES A CONNECTION BETWEEN A NEW LINE AND THE EXISTING CITY LINE, SOME TYPE OF RESTRAINING DEVICE WILL BE USED. THESE DEVICES CAN BE:

1. TEMPORARY BLOCK WITH TIMBER.
2. 4000 LBS. 6" SACK CONCRETE WITH A QUICK SET AGENT.
3. APPROVED RETAINER GLANDS.

THIS SHOULD ENABLE SHUT DOWN OF EXISTING MAIN FOR A MINIMUM TIME.