



101 MAIN STREET
HASLET, TX 76052
(817)439-5931
WWW.HASLET.ORG

811
Know what's below.
Call before you dig.
@least 48 hours prior

CITY OF HASLET
CONSTRUCTION STANDARDS
WATER - 3" AND LARGER SERVICE

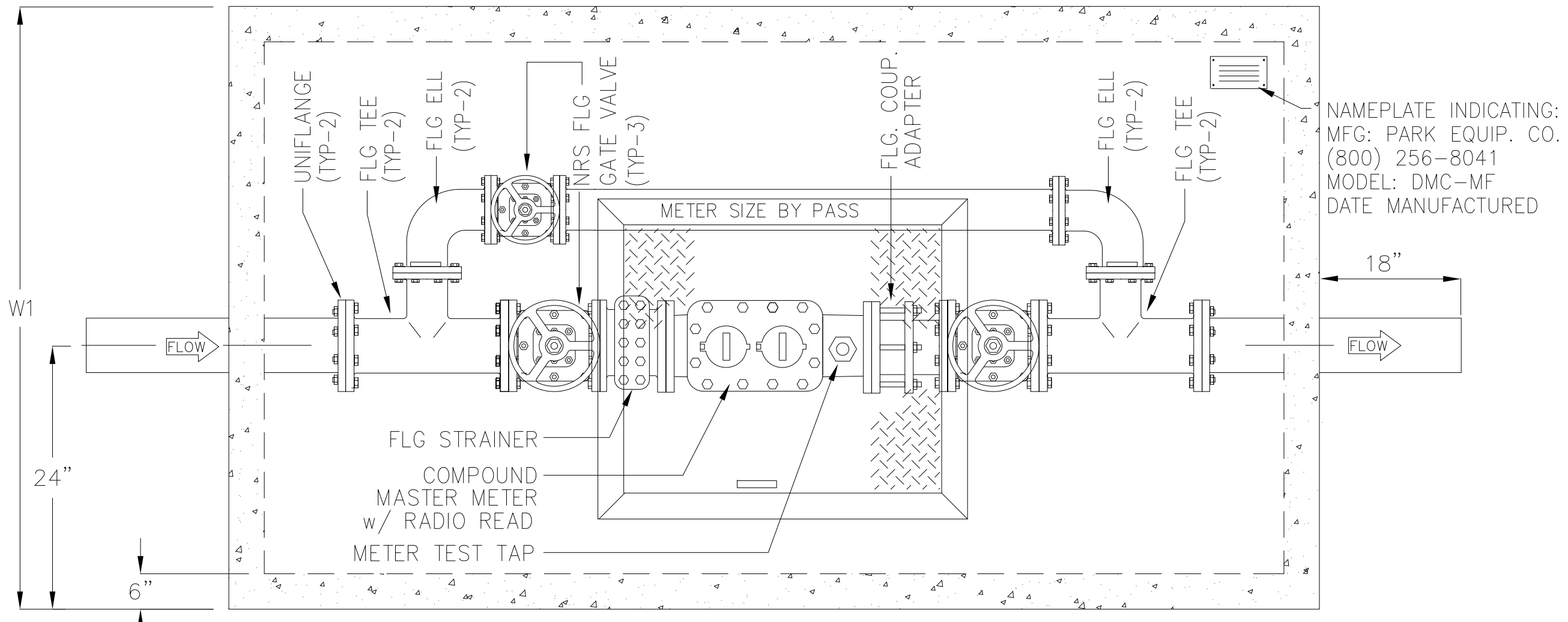
CERTIFICATION:
THIS CITY OF HASLET SHEET IS
AUTHORIZED FOR USE ON THIS
PROJECT BY AUTHORITY OF THE CITY
ENGINEER. BY INCLUDING THIS SHEET
IN THE CONSTRUCTION SET OF
DRAWINGS, THE ENGINEER OF
RECORD FOR THE PROJECT IS ALSO
CERTIFYING THAT THE CONTENT OF
THE DETAILS AND NOTES HAVE NOT
BEEN ALTERED FROM THAT RECEIVED
FROM THE CITY OF HASLET.

DRAWN: CAD
APPROVED: TNA
DATE: DEC. 2016
SHEET NUMBER

W3

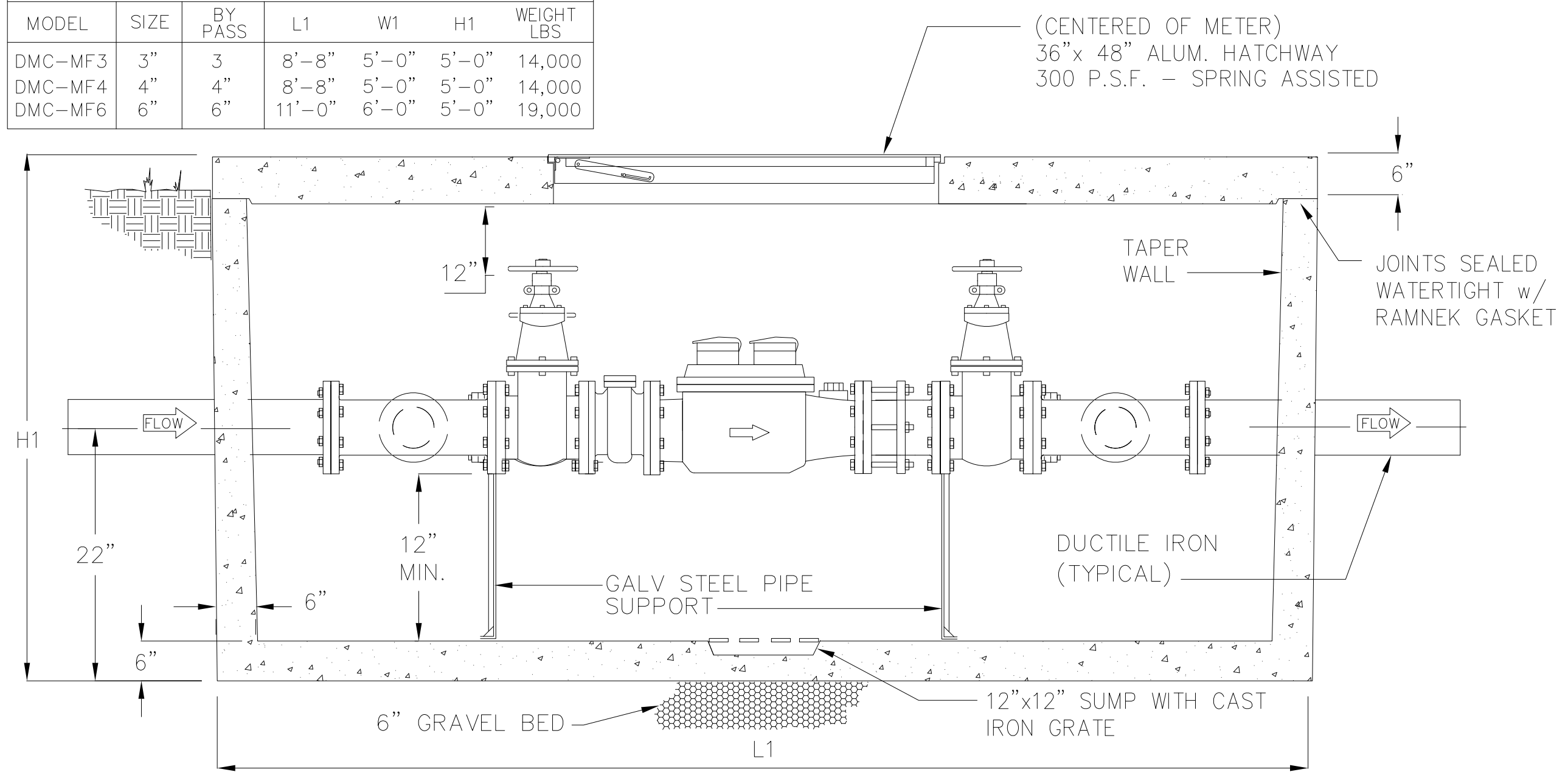
GENERAL NOTES:

1. ALL VAULTS W/METER AND OR BACK FLOW PREVENTERS SHALL BE PRECAST AND DELIVERED WITH ALL INTERNAL PIPING AND PARTS COMPLETE.
2. ALL PIPES MUST BE DUCTILE IRON & ALL FITTINGS MUST BE FLANGED IN VAULT.
3. CONCRETE SHALL BE CLASS "F" WITH DESIGN STRENGTH OF 4200 PSI @ 28 DAYS (708.2.4.2). UNIT IS OF MONOLITHIC CONSTRUCTION AT FLOOR AND FIRST STAGE OF WALL WITH SECTIONAL RISER TO REQUIRED DEPTH.
4. GRADE 60 REINFORCED, STEEL REBAR CONFORMING TO ASTM A615 ON REQUIRED CENTERS OR EQUAL.
5. 1/2" ALUMINUM DIAMOND PLATE COVER WITH EXTRUDED ALUMINUM FRAME. HATCH TO BE FURNISHED WITH 316 STAINLESS STEEL SNAP LOCK & STAINLESS HINGES TO BE CENTERED OVER METER.
6. BACKFLOW ASSEMBLY SHALL BE FACTORY ASSEMBLED IN VAULT & HYDROSTATICALLY TESTED PRIOR TO DELIVERY.
7. MODEL NUMBERS ARE FOR PARK EQUIPMENT COMPANY, MODELS ARE DMCBP-MF OR DMC-MF. UNITS BY OTHER MANUFACTURES MUST BE SUBMITTED TO BE APPROVED AS EQUALS.



PLAN VIEW

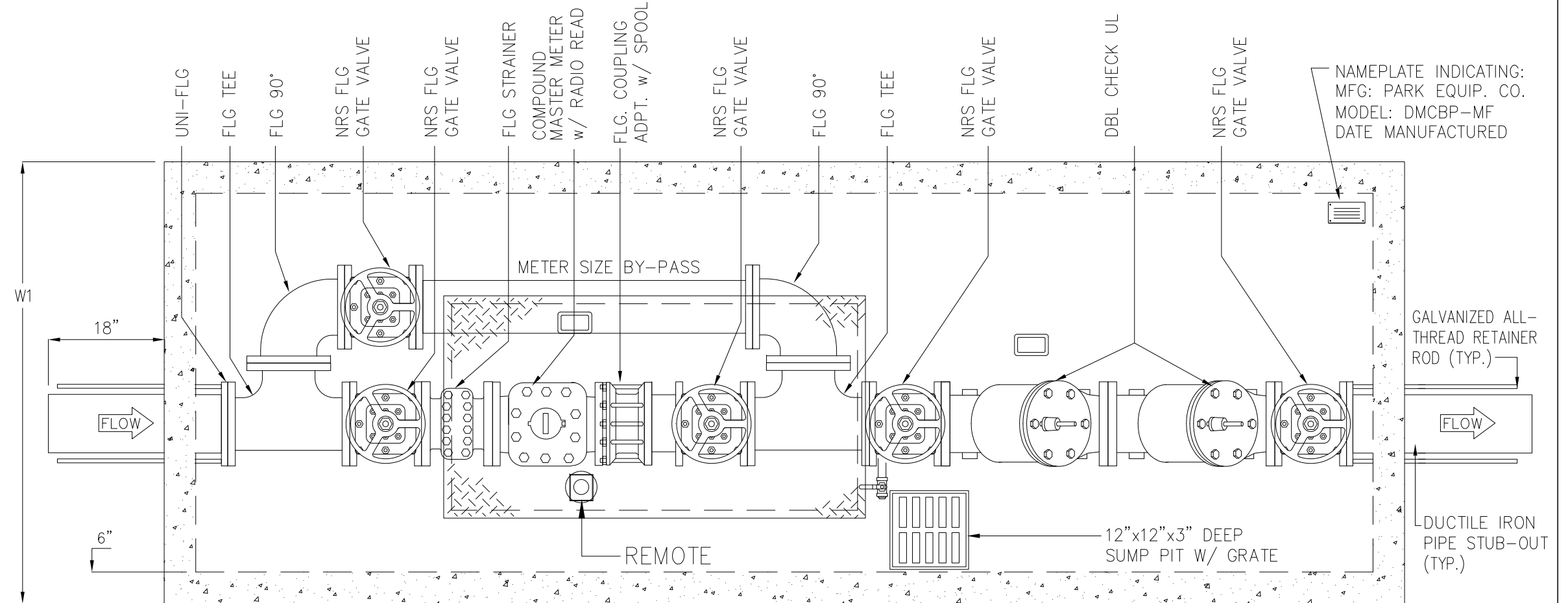
DIMENSIONS						
MODEL	SIZE	BY PASS	L1	W1	H1	WEIGHT LBS
DMC-MF3	3"	3	8'-8"	5'-0"	5'-0"	14,000
DMC-MF4	4"	4	8'-8"	5'-0"	5'-0"	14,000
DMC-MF6	6"	6	11'-0"	6'-0"	5'-0"	19,000



ELEVATION

3", 4", & 6" DOMESTIC METER

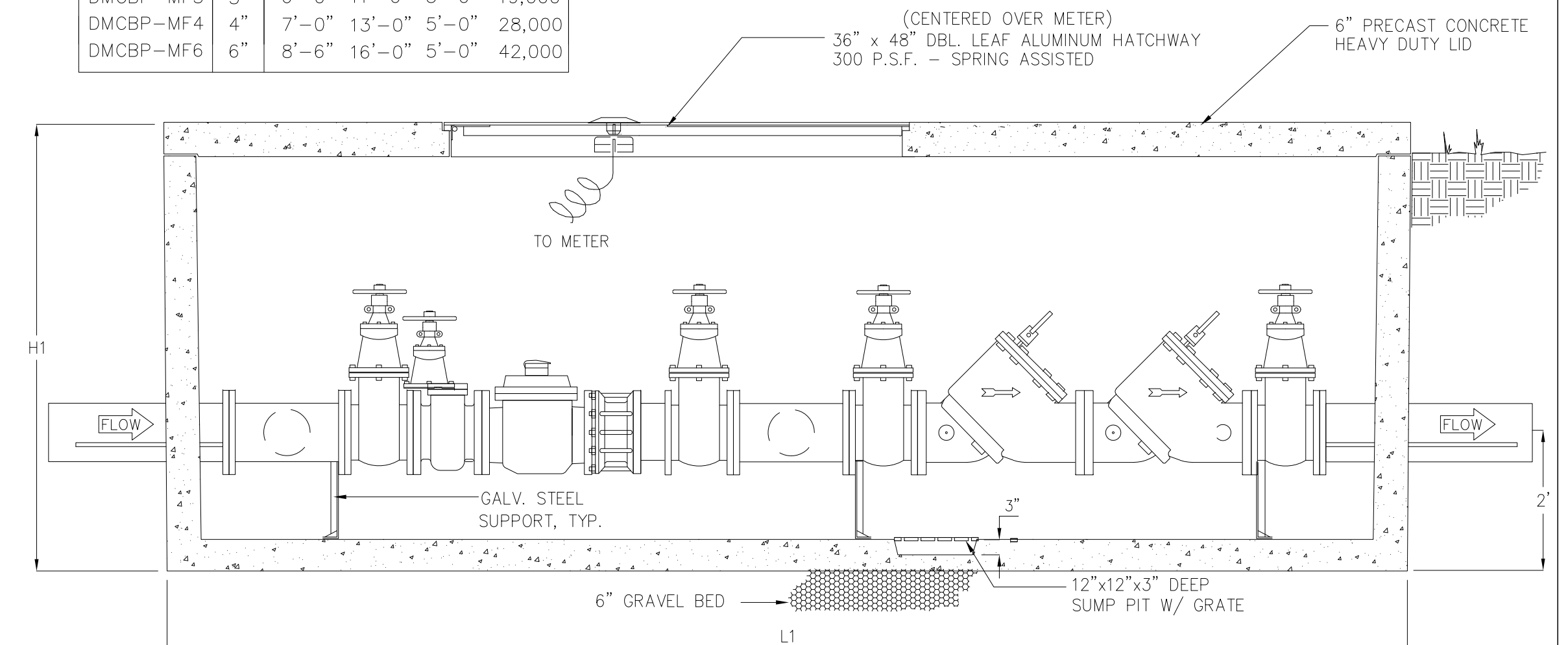
APPROVED GATE VALVES:
MUELLER, CLOW, WATEROUS, M & H



DOMESTIC SERVICE

PLAN VIEW

MODEL	SIZE	W1	L1	H1	WEIGHT LBS
DMCBP-MF3	3"	6'-0"	11'-0"	5'-0"	19,000
DMCBP-MF4	4"	7'-0"	13'-0"	5'-0"	28,000
DMCBP-MF6	6"	8'-6"	16'-0"	5'-0"	42,000



ELEVATION

3" & LARGER DOMESTIC METER AND DOUBLE-CHECK ASSEMBLY